

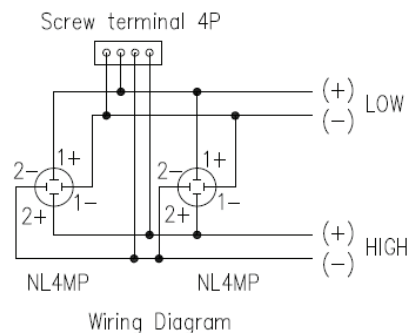
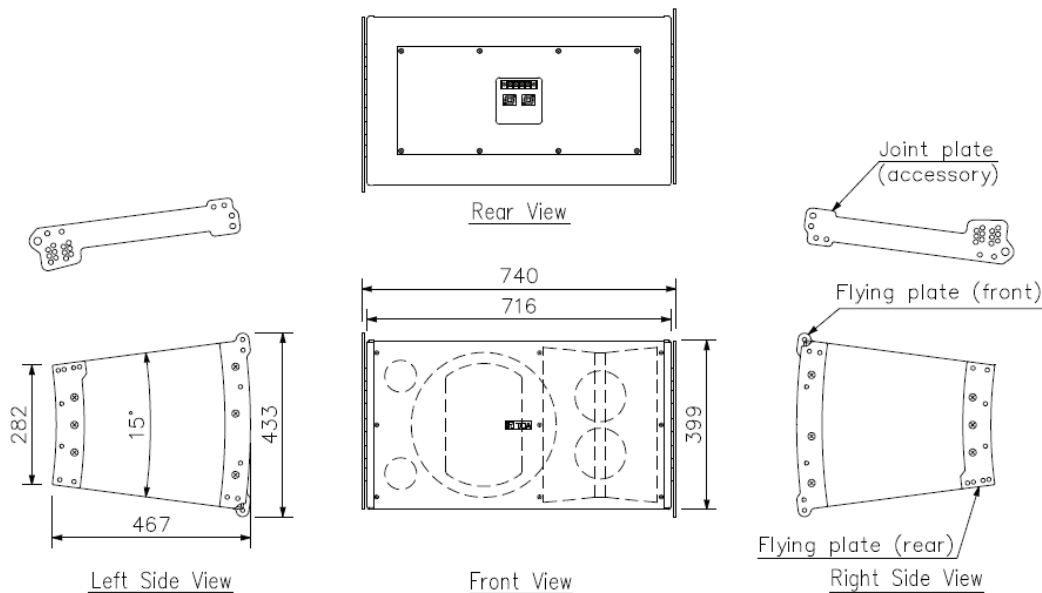
■ DESCRIPTION

Featuring the line arrayed wave front control technology that creates sound fields with uniform sound pressure and high sound clarity, the SR-A12S is a two-way line array speaker ideal for long short distance sound transmission. The SR-A12S employs the multi-amplifier drive system. Recommended digital speaker processor is the DP-SP3 (optional)

■ SPECIFICATIONS

Enclosure	Bass-reflex type
Power Handling Capacity	Continuous program Low frequency: 450 W, High frequency: 180 W
Rated Impedance	Low frequency: 8 Ω, High frequency: 16 Ω
Dispersion (1 to 4k Hz avg.)	146° Horizontal x 40° Vertical
Sensitivity	Low frequency: 98 dB ( 1 W, 1 m ), High frequency: 110 dB ( 1 W, 1 m )
Frequency Response	50 - 20,000 Hz ( when using DP-0206 (optionl))
Crossover Frequency	1,000 Hz ( when usinq DP-0206 (option))
Directivity Angle	Horizontal: 90° , Vertical: 5°
Speaker Component	Low frequency: 30 cm cone-type High frequency: Wave front control horn · (horizontal) x 5· (vertical)
Input Connector	M5 screw terminal, distance between barriers: 12.2 mm and Neutrik NL 4MP x 2
Finish	Enclosure: Plywood, black, paint Front grille: Punched steel plate, black, acrylic paint
Dimensions	740 (W) X 433 (H) X 469 (D) mm
Weight	49 kg ( including accessories)
Accessory	Joint plate ... 2, Joint plate mounting bolt ( M10) ..,16
Options	Rigging frame: SR-RF12, Digital processor: DP-0206

■ APPEARANCE



UNIT: mm SCALE: 1/15